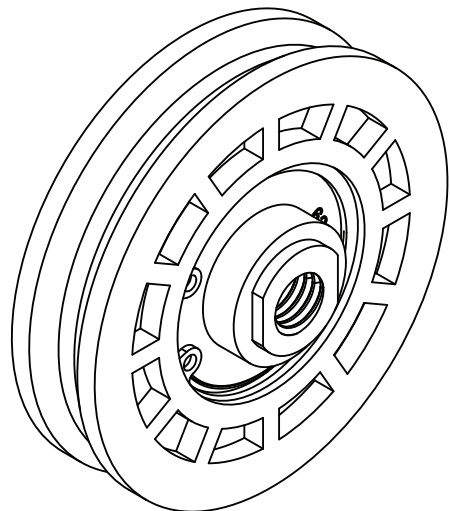
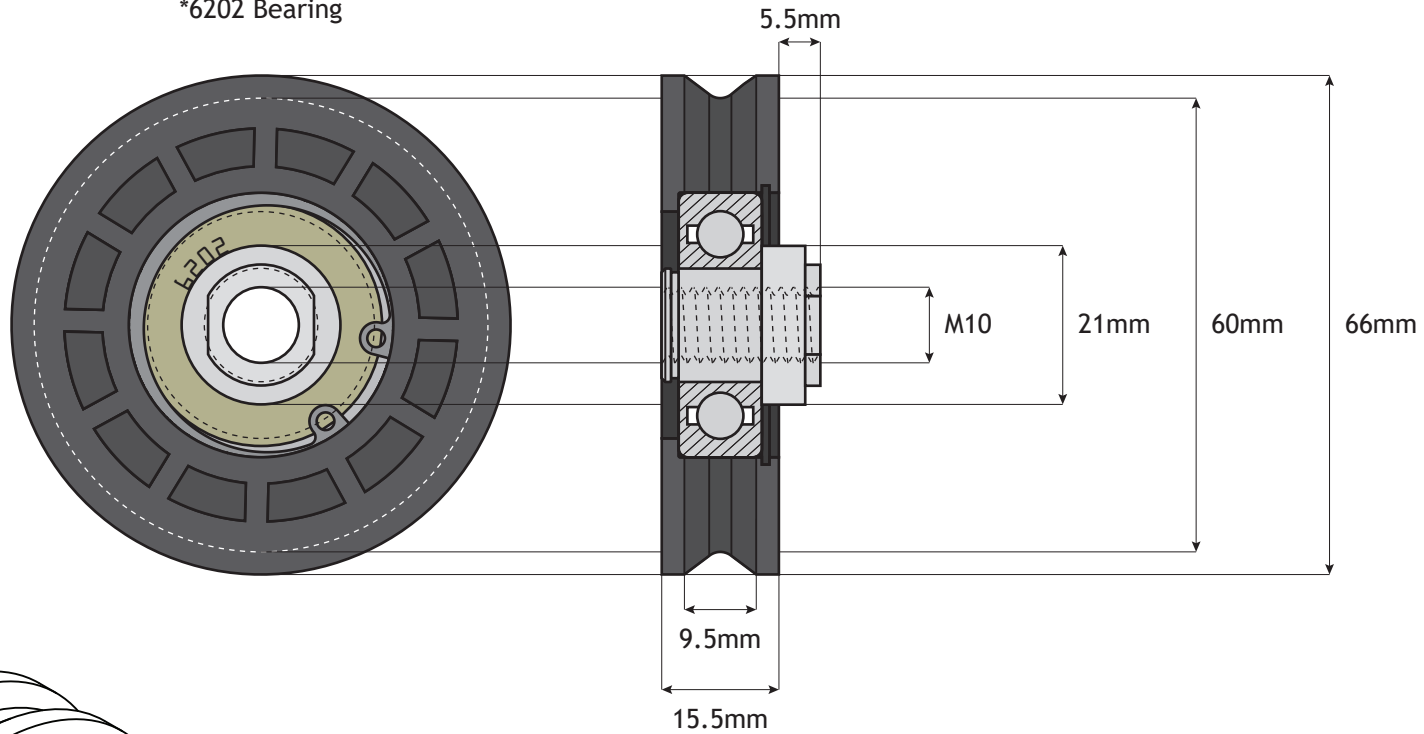



*6202 Bearing



IGV Nylon Hanger Roller (Curved Track) with M10 Tapped Insert			Part Number 33008
Date: 28th March 2024	Created by: M. Watkins		
Scale: 1:1	Page Size: A4	Batch Code: 24945	