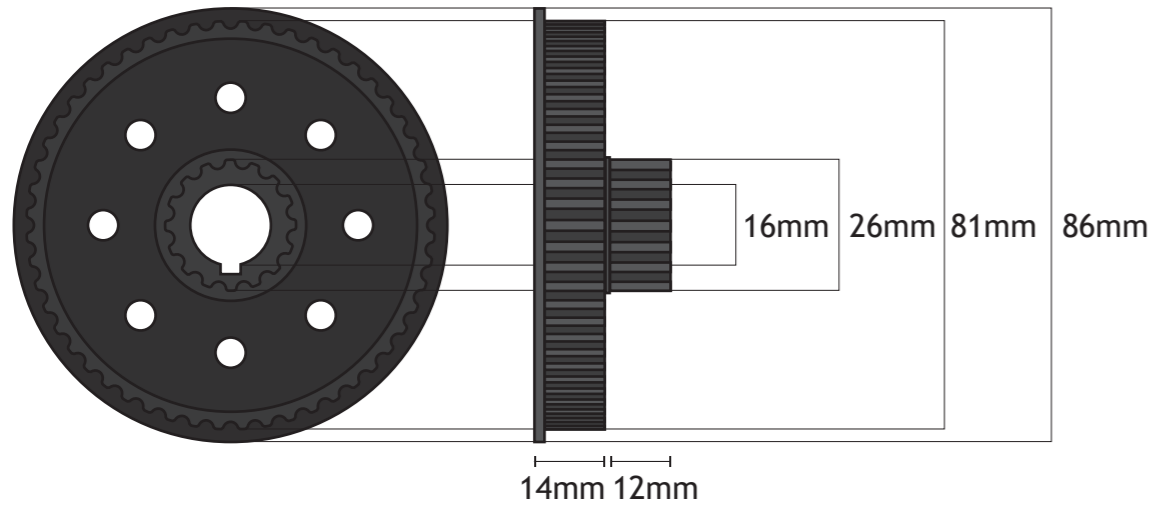


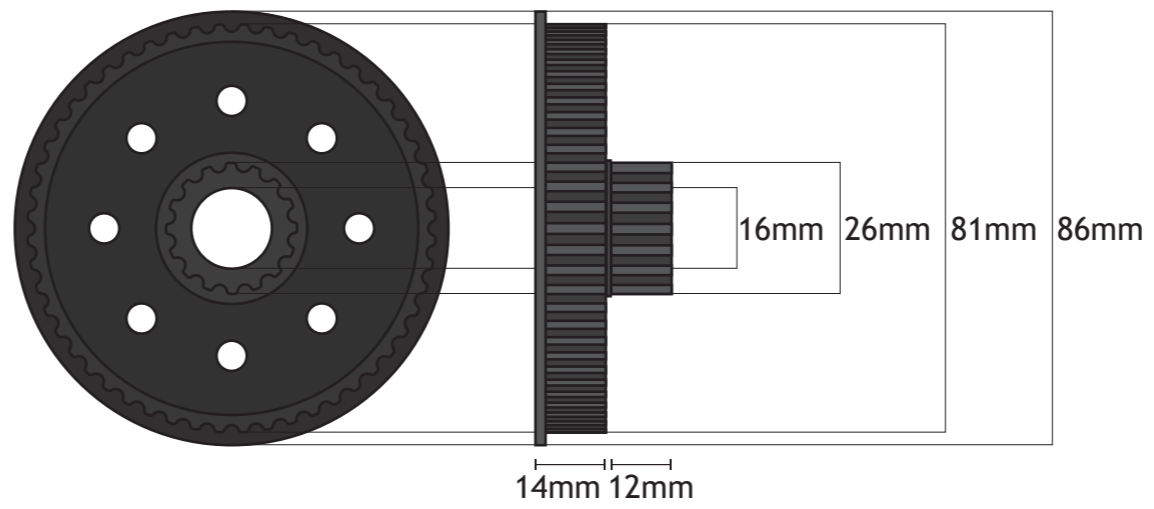
A Part Number Scale 1:1.5

19050



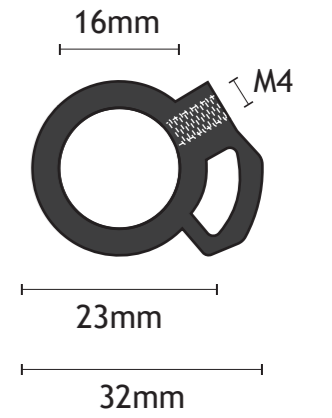
B Part Number Scale 1:1.5

19051



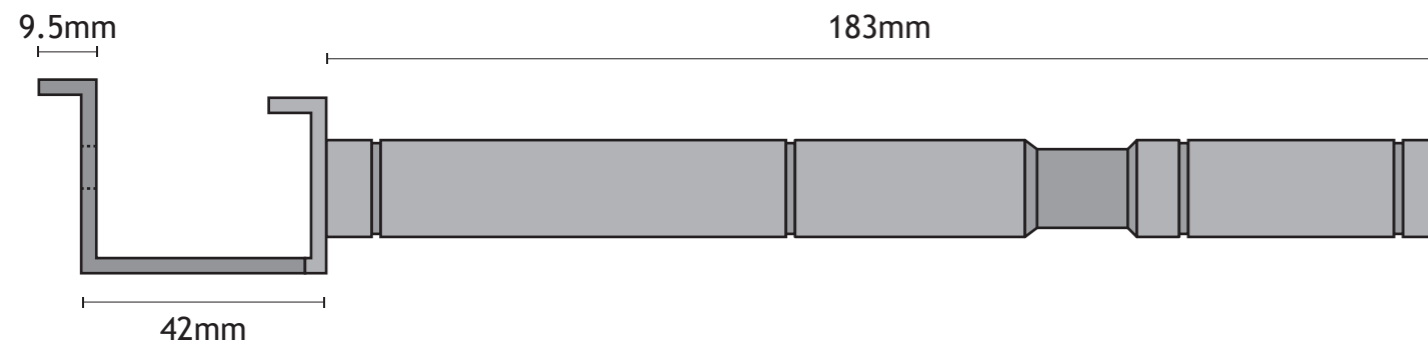
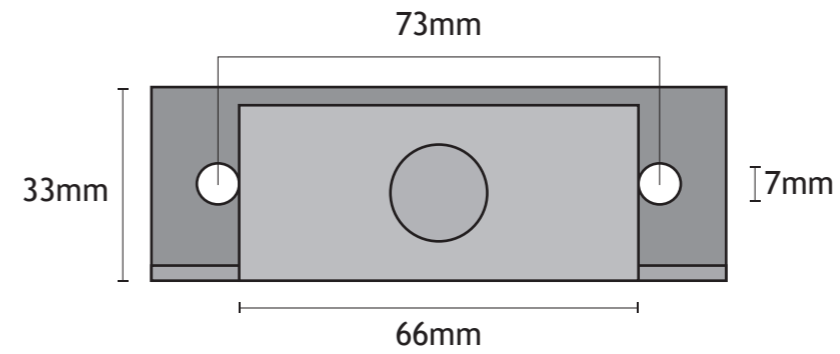
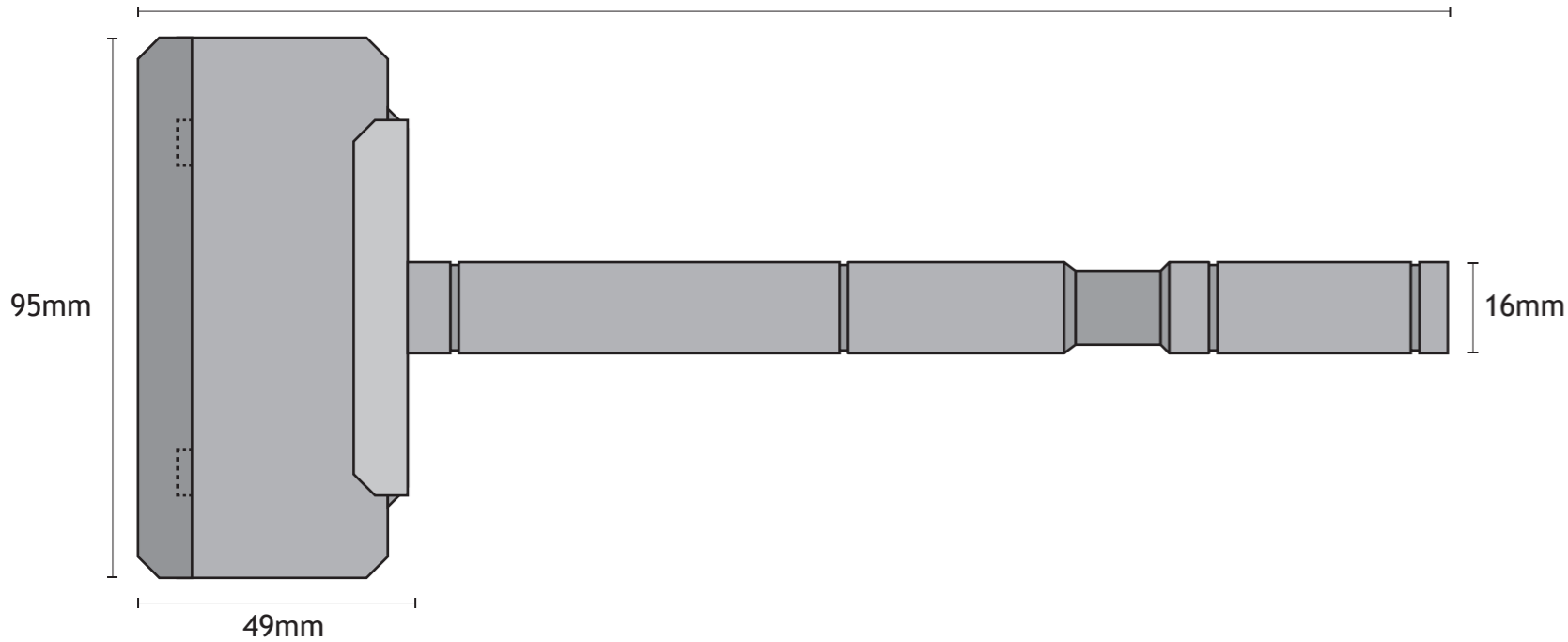
C Part Number Scale 1:1

19036



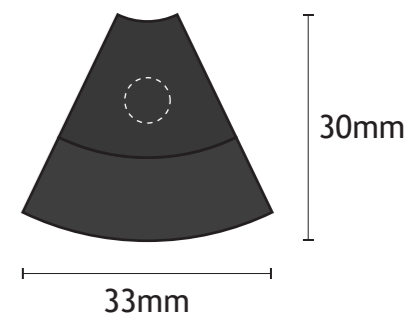
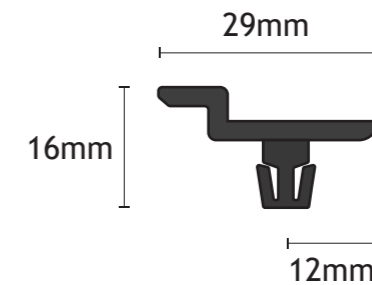
Scale 1:1.25

232mm



D Part Number Scale 1:1

19079



Related Parts		
	Description	Part No.
A	Fermator Toothed Reduction Pulley (With Key Slot)	19050
B	Fermator Toothed Reduction Pulley	19051
C	Fermator Limit Switch Cam	19036
D	Fermator Belt Guide	19079

Fermator Door Operator Assembly
OEM: CEO-ONC1PC400

Part Number

18847

Date	11th January 2022
Created by	H. Dolby
Scale	See individual parts A3

Reeley Limited
Unit 14 Monkspath Business Park
Highlands Road
Solihull B90 4NY

